

GPIO ASSIGNMENT

PIN	Define	CFG	Function
PA0	UART0_TX	5	DEBUG
PA1	UART0_RX	5	
PA7	PA_SHDN	1	
PA8	RTP-XP	2	RTP/CTP
PA9	RTP-YP	2	
PA10	RTP-XN	2	
PA11	RTP-YN	2	

PIN	Define	CFG	Function
PB0	SDC0-CLK	2	EMMC /NAND
PB1	SDC0-CMD	2	
PB2	SDC0-D3	2	
PB3	SDC0-D0	2	
PB4	SDC0-D1	2	
PB5	SDC0-D2	2	

PIN	Define	CFG	Function
PC0	SDC1-D1	2	CARD
PC1	SDC1-D0	2	
PC2	SDC1-CLK	2	
PC3	SDC1-CMD	2	
PC4	SDC1-D3	2	
PC5	SDC1-D2	2	
PC6	SDC1-DET	2	

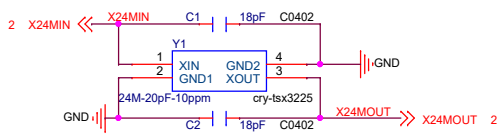
PIN	Define	Define	CFG	Function
PD6	LCD0-D6	USB0-DRV	1	USB0
PD7	LCD0-D7	USB0-ID	1	
PD8	LCD0-D8	LVDS1-D0N	2/3	LVDS
PD9	LCD0-D9	LVDS1-D0P	2/3	
PD10	LCD0-D10	LVDS1-D1N	2/3	
PD11	LCD0-D11	LVDS1-D1P	2/3	
PD12	LCD0-D12	LVDS1-D2N	2/3	
PD13	LCD0-D13	LVDS1-D2P	2/3	
PD14	LCD0-D14	LVDS1-CKN	2/3	
PD15	LCD0-D15	LVDS1-DKP	2/3	LCD RGB565
PD16	LCD0-D16	LVDS1-D3N	2/3	
PD17	LCD0-D17	LVDS1-D3P	2/3	
PD18	LCD0-D18		2	
PD19	LCD0-D19		2	
PD20	LCD0-D20		2	
PD21	LCD0-D21		2	
PD22	LCD0-D22		2	
PD23	LCD0-D23		2	
PD24	LCD0-DCLK		2	
PD25	LCD0-HS		2	
PD26	LCD0-VS		2	
PD27	LCD0-DE		2	

PIN	Define	CFG	Function
PU0	USB0-DM	2	USB0
PU1	USB0-DP	2	

PIN	Define	CFG	Function
PE0	MAC0-RXD1	6	MAC0 100M
PE1	MAC0-RXD0	6	
PE2	MAC0-CRS-DV	6	
PE3	MAC0-REFCLK	6	
PE4	MAC0-TXD1	6	
PE5	MAC0-TXD0	6	
PE6	ETH0_RST	1	
PE7	MAC0-TXEN	6	
PE8	MAC0-MDC	6	
PE9	MAC0-MDIO	6	
PE10	EPHY0-25M	6	SPEAKER
PE11	SPK1	4	
PE14	UART3-TX	5	RS232
PE15	UART3-RX	5	
PE16	TWI3-SCK	5	
PE17	TWI3-SDA	5	
PE18	BUZZER	1	
PE19	LCD_PWR	1	

PIN	Define	CFG	Function
PF0	UART5-TX	5	RS485
PF1	UART5-RX	5	
PF14	DMIC_DATA	4	DMIC/UART4
PF15	DMIC_CLK	4	

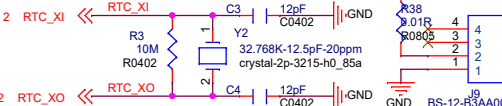
PLL



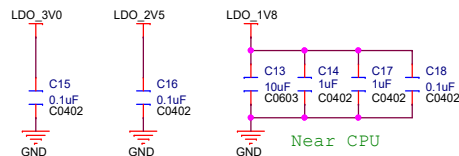
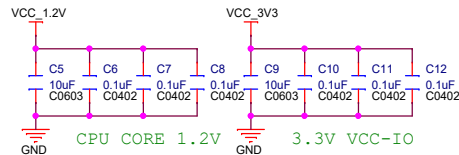
RTC

使用CPU内置RTC功能，外置晶振

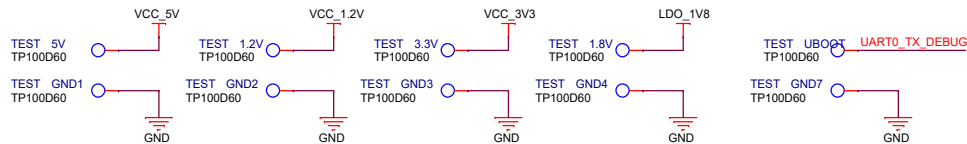
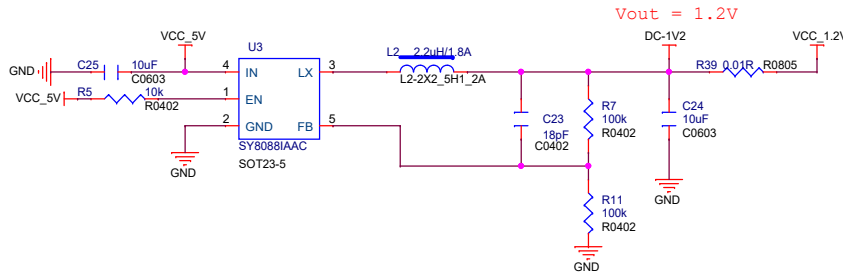
RTC_VCOIN



CPU decouple cap

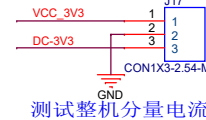
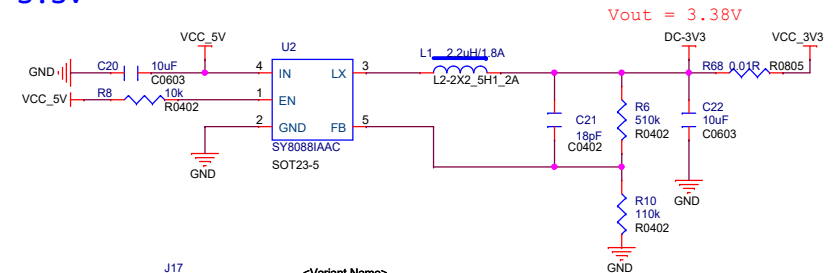


1.2V



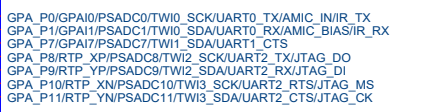
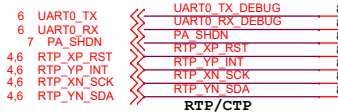
测试整机分量电流

3.3V

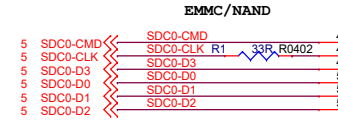


测试整机分量电流

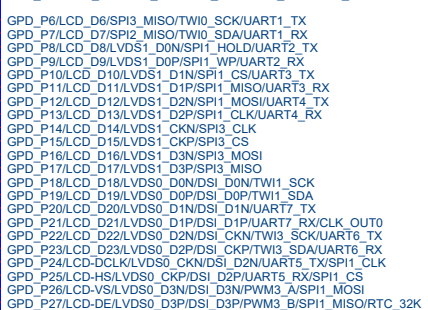
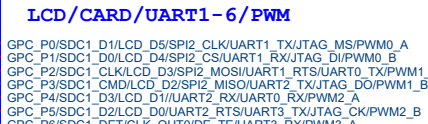
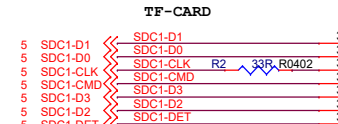
UART0/ADC/TP/AMIC/CIR



EMMC/NAND/NOR



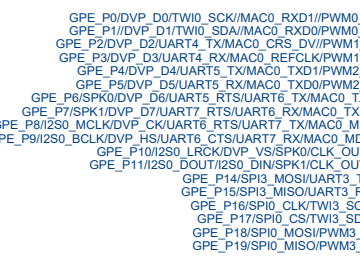
LCD/CARD/UART1-6/PWM



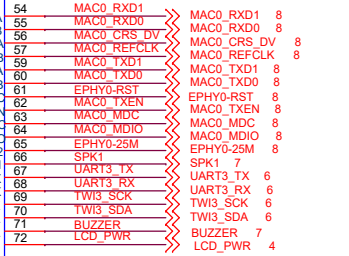
SYS



EMAC/I2S0/UART3-7/PWM



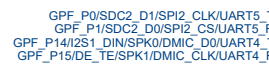
EMAC-100M



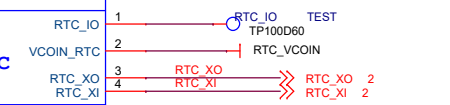
USB & Debug



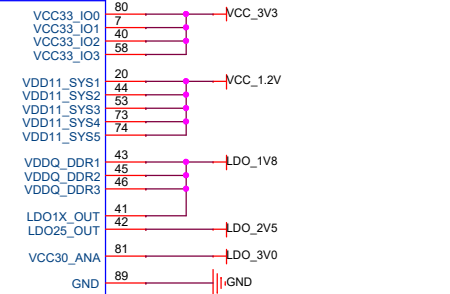
Speaker



RTC



Power



<Variant Name>

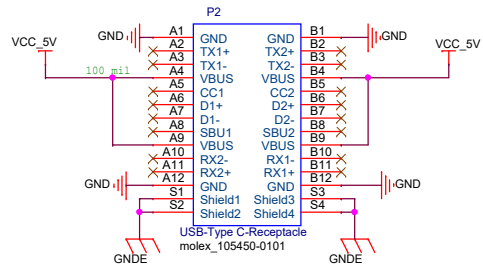
ArtInChip Technology Co., Ltd

Design Name: **D211BB-DEMO**

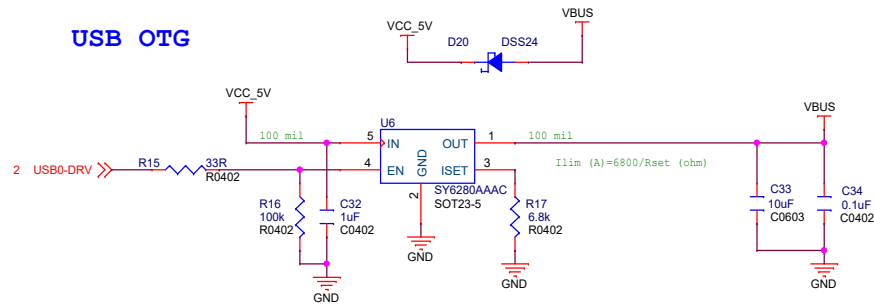
Size: A3 Page Name: CPU Rev: V1.0

Date: 2023-01-07 Sheet: 2 of 8

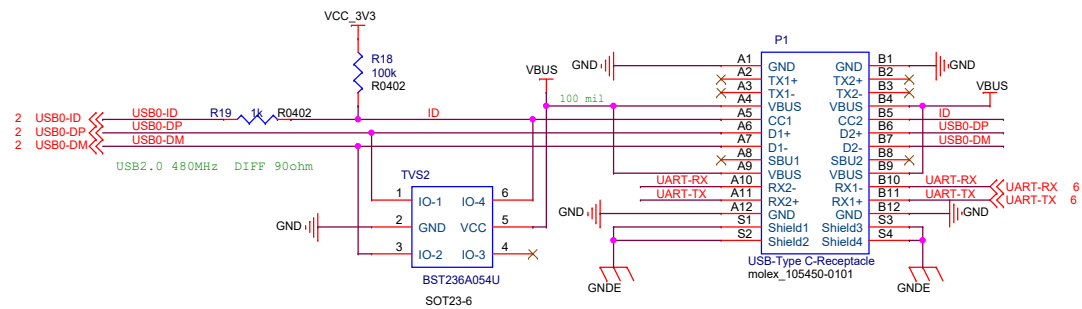
USB POWER (Option)




USB OTG



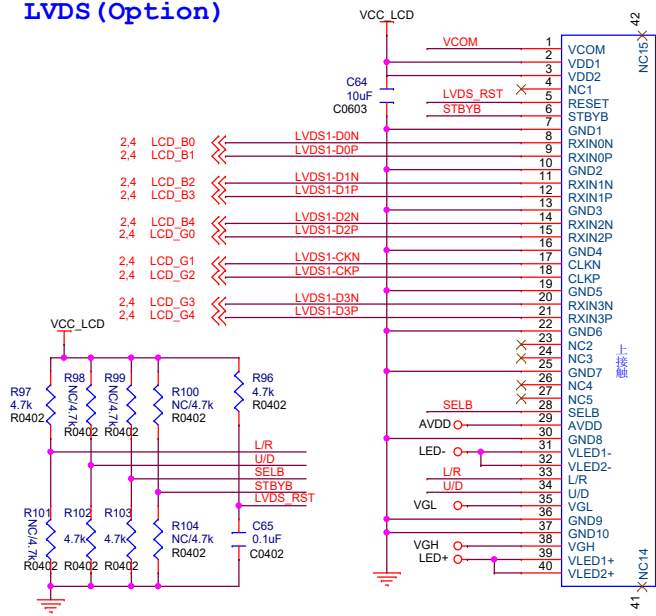
注释1: $I_{lim}(A) = 6800/R_{set}$, VBUS按至少1A走线



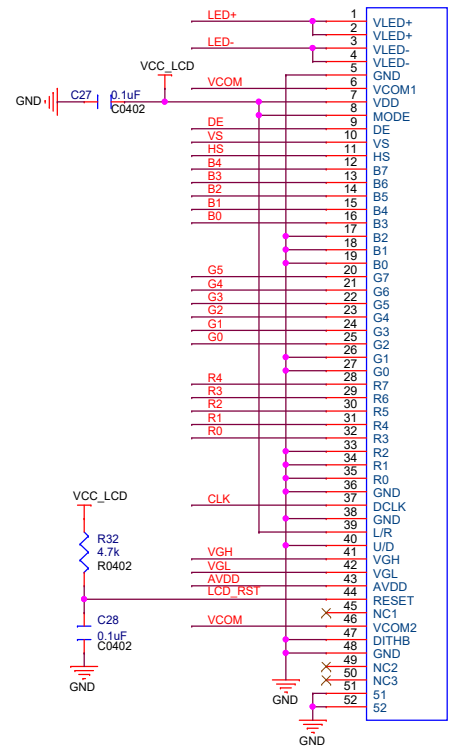
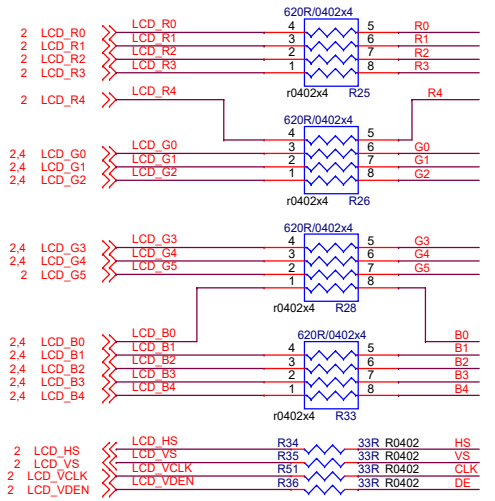
<Variant Name>

		ArtInChip Technology Co., Ltd	
		Design Name D211BB-DEMO	
Size A3	Page Name USB	Rev V1.0	
Date: 2023-01-07	Sheet 3 of	8	

LVDS (Option)

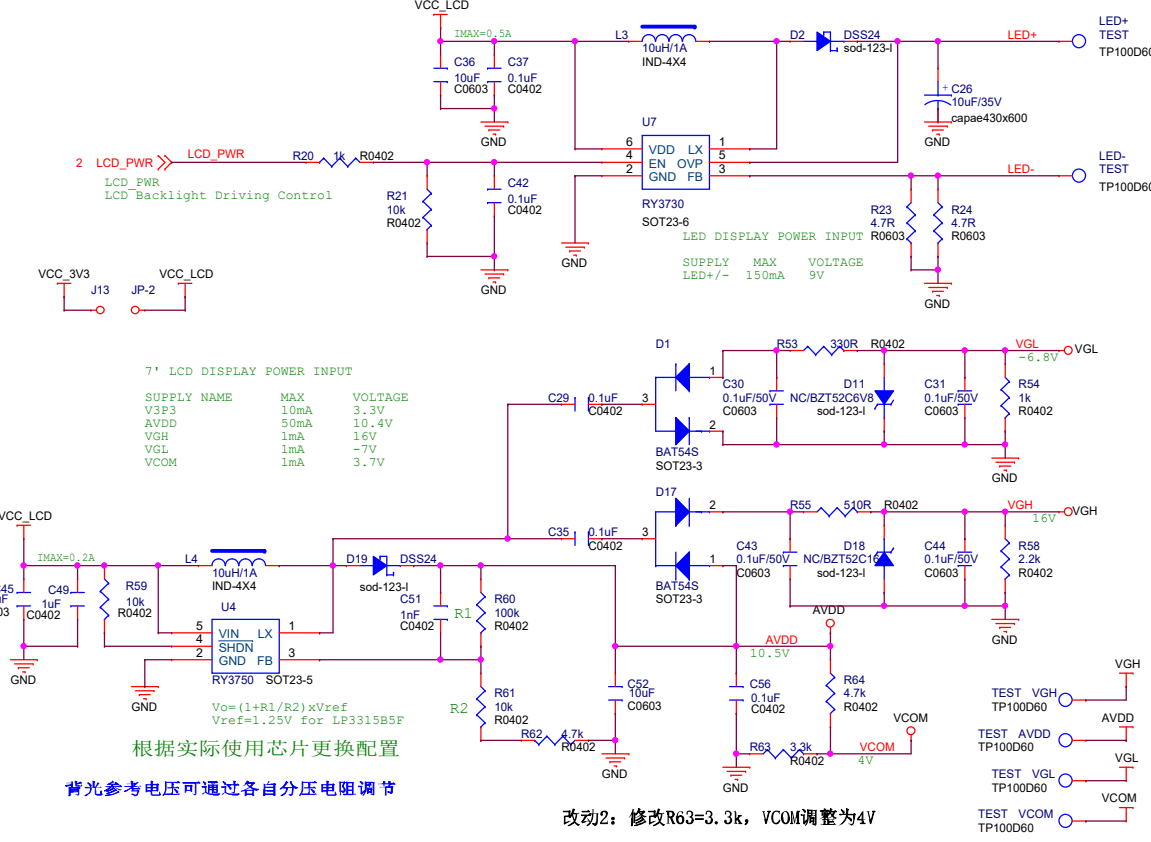


LCD (7" RGB565)

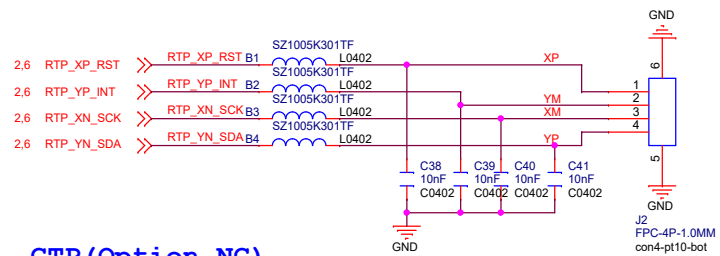


显示屏上接触

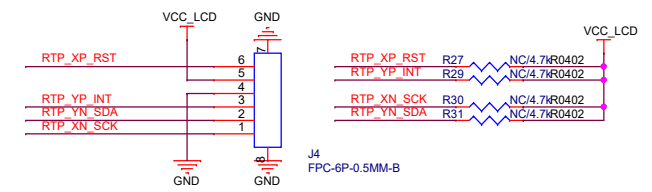
LCD POWER



RTP



CTP (Option NC)



ArtInChip Technology Co., Ltd

Design Name: D211BB-DEMO

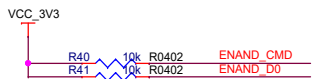
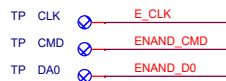
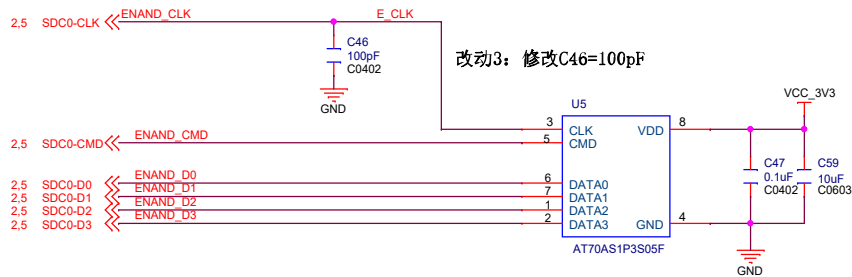
Size: A3 Page Name: LCD/TP Rev: V1.0

Date: 2023-01-07 Sheet: 4 of 8

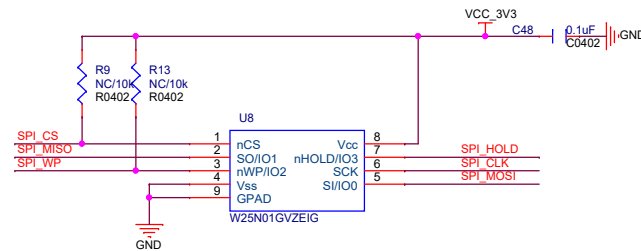
背光参考电压可通过各自分压电阻调节

改动2: 修改R63=3.3k, VCOM调整为4V

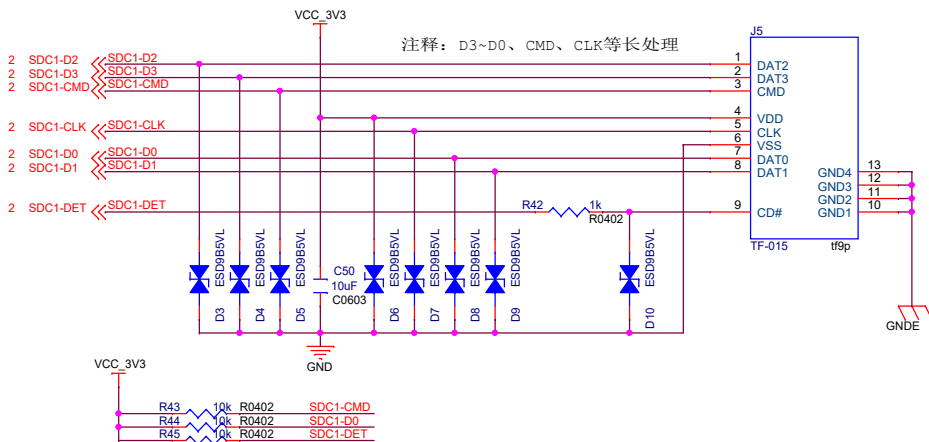
EMMC



SPI NAND (Option NC)



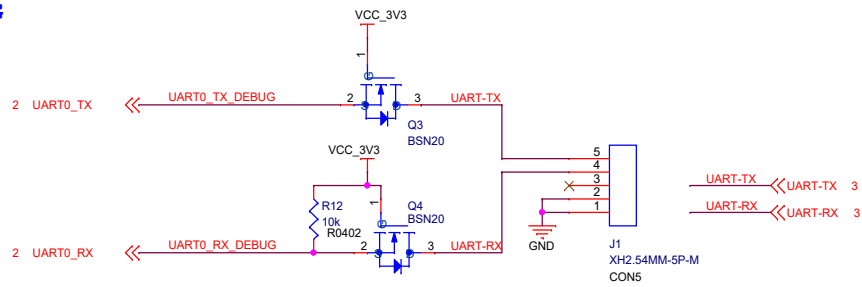
TF-CARD



<Variant Name>

			ArtInChip Technology Co., Ltd		
			Design Name	D211BB-DEMO	
Size	A3	Page Name	EMMC/CARD	Rev	V1.0
Date:	2023-01-07	Sheet	5 of	8	

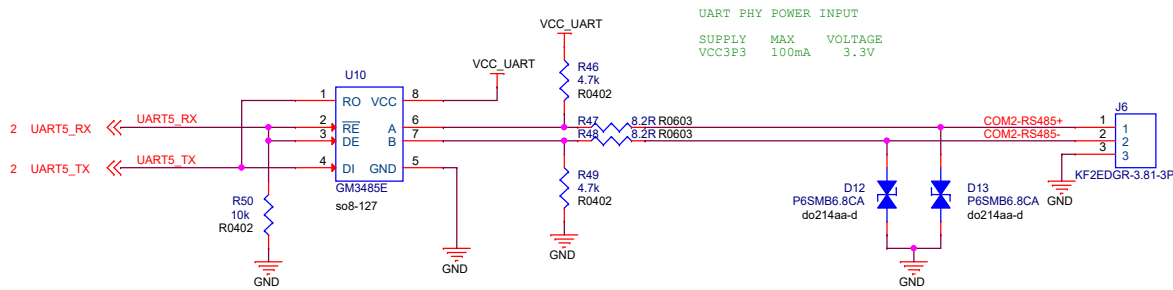
DEBUG



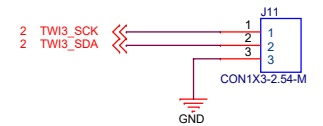
JTAG (Option)



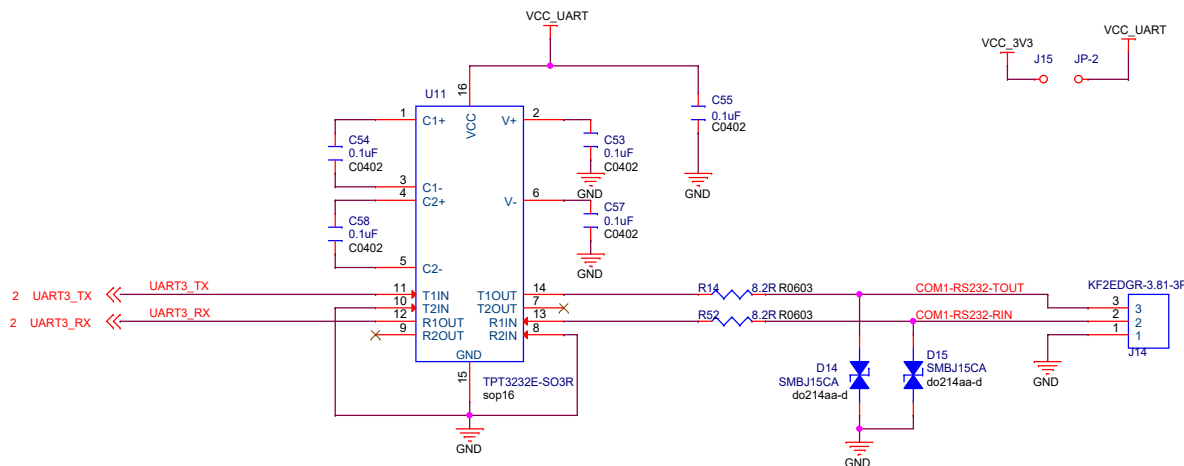
RS485




RS485 两线制模式接法，可节省1个PIN，自动控制收发



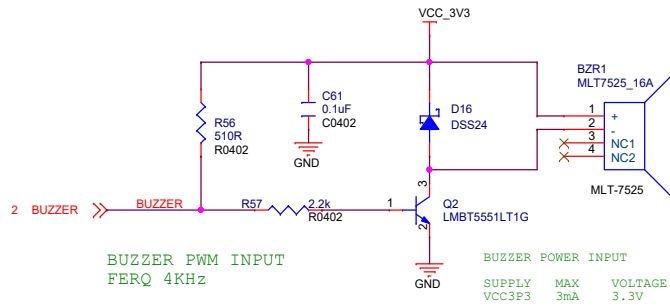
RS232



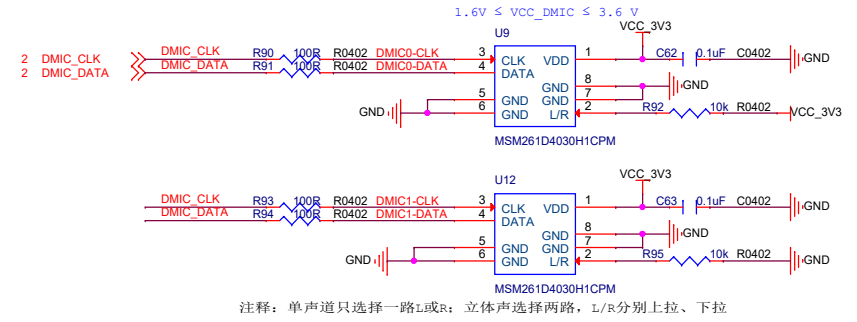
<Variant Name>

			ArtInChip Technology Co., Ltd	
			Design Name D211BB-DEMO	
Size A3	Page Name DEBUG/RS485/RS232		Rev V1.0	
Date: 2023-01-07	Sheet 6 of 8			

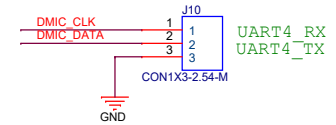
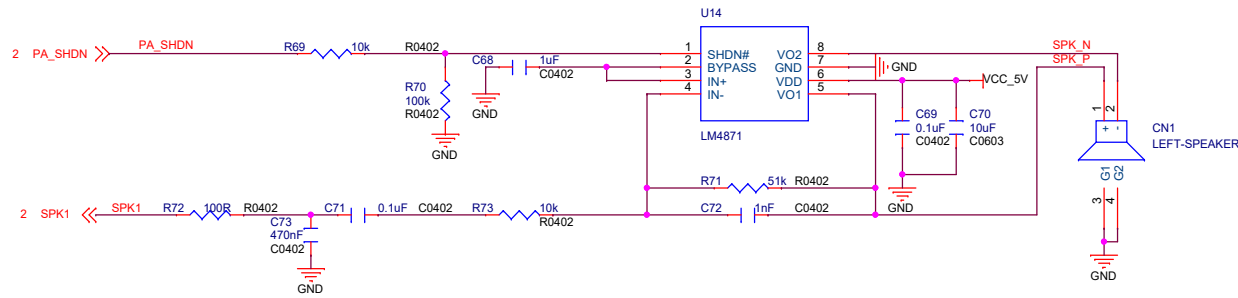
BUZZER




DMIC



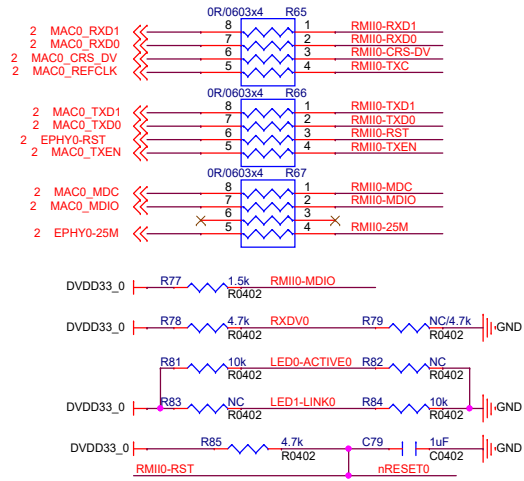
SPEAKER



<Variant Name>

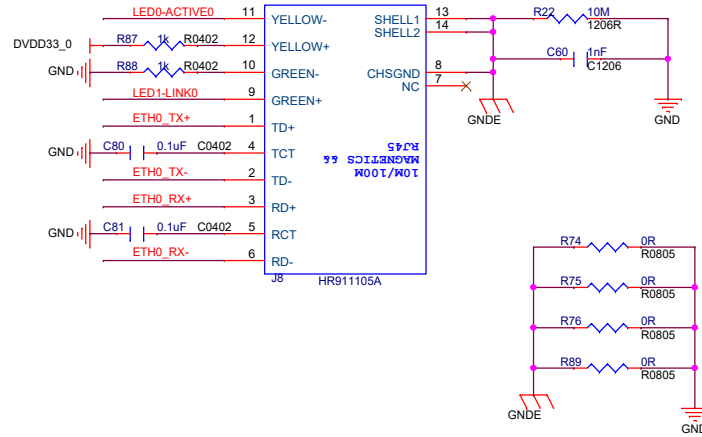
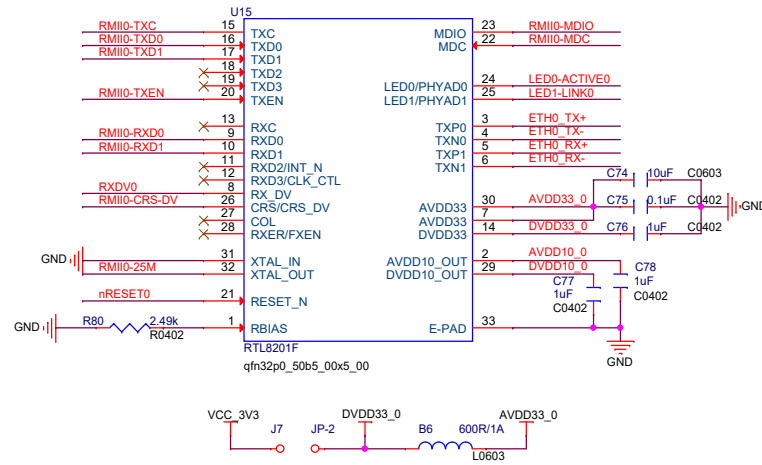
		ArtInChip Technology Co., Ltd	
		Design Name	D211BB-DEMO
Size	Page Name	Rev	
A3	SPEAKER	V1.0	
Date:	2023-01-09	Sheet	7 of 8

RMII0-100M



	Pull high	Pull down
RXDV	RMII mode	MII mode
RXD3(内部PD)	TXC input	TXC output
RXD1(内部PD)	WOL mode	LED mode

PHY-ADDR	LED1-LINK	LED0-ACTIVE
addr = 5' d0	Pull down	Pull down
addr = 5' d1	Pull down	Pull high
addr = 5' d2	Pull high	Pull down
addr = 5' d3	Pull high	Pull high



<Variant Name>